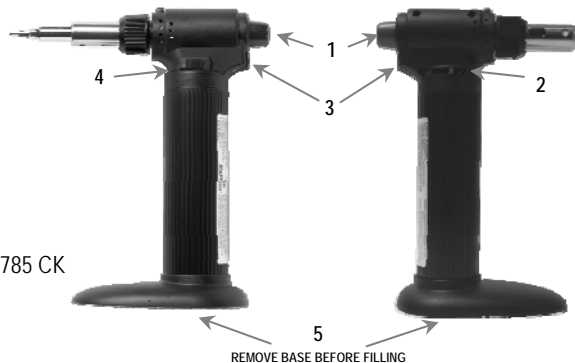


WARNINGS:

- Contents of unit when filled are extremely flammable and under pressure.
- Keep out of reach of children or anyone who has not read the instructions.
- Use this Micro Torch with Butane fuel only. Use of non-recommended fuel will void your warranty.
- Carefully read cautions on your fuel cylinder.
- Keep away from heat and flame. DO NOT store this torch on your fuel cylinder. DO NOT store at temperatures above 120°F (49°C).
- DO NOT store in rooms used for habitation.
- Always point away from face, body, and clothing when igniting or using.
- Keep hands and face away from the torch when it is in use. There are times when the flame is difficult to see, so work with caution.
- Avoid overheating the torch, allow for short rest periods between uninterrupted uses.
- Never leave the torch in direct sunlight or in areas where a stove or heater generates a high temperature of 104°F (40°C).
- Never puncture torch or place torch near an open flame of any type including but not limited to fire places or pilot flames.
- Do not touch the tip of the torch after usage. The tip will become extremely hot to touch.
- Never disassemble the torch or modify it in any way by adding to or removing parts. Any such activity may be hazardous and result in property damage or bodily harm.
- Once filled **DO NOT PUT IN LUGGAGE OR TAKE ON ANY TRAIN OR AIRCRAFT**



Model: MT 785 CK

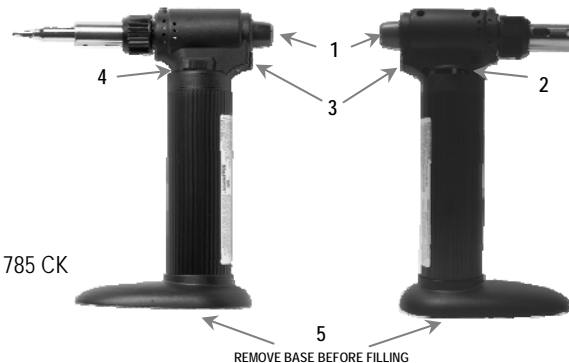
Model: MT 780

OPERATING INSTRUCTIONS GAS REFILLING

- Prior to refilling with butane, remove the base of the torch. Make sure that the **gas refill valve (5)** has not been damaged and is secure in the bottom of the torch.
- **USE ONLY BUTANE FUEL.** MagTorch branded filtered butane is highly recommended. Use model numbers MT 100 B or MT 150 B.
- Shake the butane fuel cylinder lightly a few times to warm up the fuel within the cylinder.
- Move the **flame adjustment (2)** dial to the "-" position.
- Turn the torch upside down orientating the **gas refill valve (5)** pointing up.
- Mate the butane nozzle vertically with the **gas refill valve (5)** and apply light pressure to the butane cylinder nozzle to the **gas refill valve (5)**. A light pumping action works best to properly fill the torch. **CAUTION** – Fill fuel tank on the torch to approximately 80% capacity. Do not over fill! Too much pressure will result in fuel back spray, which is flammable. If the butane cylinder nozzle and **gas refill valve (5)** are not aligned it may result in fuel back spray as well.
- After refilling, allow a few minutes for the gas to stabilize before operating.

WARNINGS:

- Contents of unit when filled are extremely flammable and under pressure.
- Keep out of reach of children or anyone who has not read the instructions.
- Use this Micro Torch with Butane fuel only. Use of non-recommended fuel will void your warranty.
- Carefully read cautions on your fuel cylinder.
- Keep away from heat and flame. DO NOT store this torch on your fuel cylinder. DO NOT store at temperatures above 120°F (49°C).
- DO NOT store in rooms used for habitation.
- Always point away from face, body, and clothing when igniting or using.
- Keep hands and face away from the torch when it is in use. There are times when the flame is difficult to see, so work with caution.
- Avoid overheating the torch, allow for short rest periods between uninterrupted uses.
- Never leave the torch in direct sunlight or in areas where a stove or heater generates a high temperature of 104°F (40°C).
- Never puncture torch or place torch near an open flame of any type including but not limited to fire places or pilot flames.
- Do not touch the tip of the torch after usage. The tip will become extremely hot to touch.
- Never disassemble the torch or modify it in any way by adding to or removing parts. Any such activity may be hazardous and result in property damage or bodily harm.
- Once filled **DO NOT PUT IN LUGGAGE OR TAKE ON ANY TRAIN OR AIRCRAFT**



Model: MT 785 CK

Model: MT 780

OPERATING INSTRUCTIONS GAS REFILLING

- Prior to refilling with butane, remove the base of the torch. Make sure that the **gas refill valve (5)** has not been damaged and is secure in the bottom of the torch.
- **USE ONLY BUTANE FUEL.** MagTorch branded filtered butane is highly recommended. Use model numbers MT 100 B or MT 150 B.
- Shake the butane fuel cylinder lightly a few times to warm up the fuel within the cylinder.
- Move the **flame adjustment (2)** dial to the "-" position.
- Turn the torch upside down orientating the **gas refill valve (5)** pointing up.
- Mate the butane nozzle vertically with the **gas refill valve (5)** and apply light pressure to the butane cylinder nozzle to the **gas refill valve (5)**. A light pumping action works best to properly fill the torch. **CAUTION** – Fill fuel tank on the torch to approximately 80% capacity. Do not over fill! Too much pressure will result in fuel back spray, which is flammable. If the butane cylinder nozzle and **gas refill valve (5)** are not aligned it may result in fuel back spray as well.
- After refilling, allow a few minutes for the gas to stabilize before operating.

IGNITING THE TORCH

- Move the flame adjustment (2) dial to the "+" position. Small adjustments may be required dependent on your altitude and the temperature. Extreme cold temperatures create an environment where the torch is difficult to light. This is normal.
- Release the safety lock (3) by sliding the lock down towards the bottom of the torch. The lock should click and hold in a downward position.
- Hold the torch in your hand and point the nozzle away from yourself, anyone near you, or any flammable liquids or objects. Use your thumb to depress the trigger ignition (1) inwards. It is not uncommon for you to have to press the trigger ignition (1) two or three times to ignite the torch. *Note: Each try will require sliding down the safety lock (3) before pressing the trigger ignition (1).*

COLD WEATHER OPERATION

- In colder weather the size of the flame will be smaller. To produce a larger flame, pre-warm the Micro Torch to room temperature prior to use. To warm the fuel up, shake the torch a few times. There is a greater possibility that the flame will extinguish when the torch is turned upside down in cold weather.

USING CONTINUOUS FLAME FEATURE:

- For a continuous flame, move the continuous lock (4) to the right, towards the trigger ignition (1).

FLAME ADJUSTMENT

- Moving the flame adjustment (2) dial towards the "+" will increase the flame size. Moving the flame adjustment (2) dial towards the "-" will decrease the flame size. For best results, keep the flame length at about 1/2" - 1" (10-25 mm). Do not make flame too long as it will only waste fuel and make the flame unstable.
- There are many factors that impact the flame setting and the ability of your torch to burn. There are times due to temperature or altitude that your torch may not react to the settings of the flame adjustment (2) dial as in normal conditions. Adjust the dial to create the desired flame.

TURNING OFF THE TORCH

- Releasing the trigger ignition (1) will extinguish the flame if the torch does not have the continuous lock (4) on.
- In order to extinguish the flame when the continuous lock is on, slide the continuous lock (4) to the left, towards the front of the torch.
- IF EQUIPPED: For quick extinguishment of flame, press the fuel cut off button on top of the torch. This will temporarily stop the fuel but WILL NOT turn the torch off. You will still need to turn off the torch by the above steps.
- Residual gas may keep the flame burning briefly. Make sure the fire is completely extinguished before setting torch down or storing torch.

ALWAYS USE YOUR MICRO TORCH IN A WELL VENTILATED AREA

DANGER:
ONCE FILLED WITH BUTANE, CONTENTS EXTREMELY FLAMMABLE AND UNDER PRESSURE.
KEEP OUT OF REACH OF CHILDREN

Warning: Byproducts of the combustion of the fuel used by this product contains chemicals known to the State of California to cause cancer or reproductive harm.

IMPORTANT
Please do not return to retail location. For all questions or issues, call
1 (800) 969-3334
Eastern Standard Time—8:30 A.M. to 5:00 P.M.

Imported by:
Magna Industries, Inc.
2233 West 110th Street
Cleveland, OH 44102
Torch made in Taiwan
Butane cylinder made in Korea
Packaged in USA

IGNITING THE TORCH

- Move the flame adjustment (2) dial to the "+" position. Small adjustments may be required dependent on your altitude and the temperature. Extreme cold temperatures create an environment where the torch is difficult to light. This is normal.
- Release the safety lock (3) by sliding the lock down towards the bottom of the torch. The lock should click and hold in a downward position.
- Hold the torch in your hand and point the nozzle away from yourself, anyone near you, or any flammable liquids or objects. Use your thumb to depress the trigger ignition (1) inwards. It is not uncommon for you to have to press the trigger ignition (1) two or three times to ignite the torch. *Note: Each try will require sliding down the safety lock (3) before pressing the trigger ignition (1).*

COLD WEATHER OPERATION

- In colder weather the size of the flame will be smaller. To produce a larger flame, pre-warm the Micro Torch to room temperature prior to use. To warm the fuel up, shake the torch a few times. There is a greater possibility that the flame will extinguish when the torch is turned upside down in cold weather.

USING CONTINUOUS FLAME FEATURE:

- For a continuous flame, move the continuous lock (4) to the right, towards the trigger ignition (1).

FLAME ADJUSTMENT

- Moving the flame adjustment (2) dial towards the "+" will increase the flame size. Moving the flame adjustment (2) dial towards the "-" will decrease the flame size. For best results, keep the flame length at about 1/2" - 1" (10-25 mm). Do not make flame too long as it will only waste fuel and make the flame unstable.
- There are many factors that impact the flame setting and the ability of your torch to burn. There are times due to temperature or altitude that your torch may not react to the settings of the flame adjustment (2) dial as in normal conditions. Adjust the dial to create the desired flame.

TURNING OFF THE TORCH

- Releasing the trigger ignition (1) will extinguish the flame if the torch does not have the continuous lock (4) on.
- In order to extinguish the flame when the continuous lock is on, slide the continuous lock (4) to the left, towards the front of the torch.
- IF EQUIPPED: For quick extinguishment of flame, press the fuel cut off button on top of the torch. This will temporarily stop the fuel but WILL NOT turn the torch off. You will still need to turn off the torch by the above steps.
- Residual gas may keep the flame burning briefly. Make sure the fire is completely extinguished before setting torch down or storing torch.

ALWAYS USE YOUR MICRO TORCH IN A WELL VENTILATED AREA

DANGER:
ONCE FILLED WITH BUTANE, CONTENTS EXTREMELY FLAMMABLE AND UNDER PRESSURE.
KEEP OUT OF REACH OF CHILDREN

Warning: Byproducts of the combustion of the fuel used by this product contains chemicals known to the State of California to cause cancer or reproductive harm.

IMPORTANT
Please do not return to retail location. For all questions or issues, call
1 (800) 969-3334
Eastern Standard Time—8:30 A.M. to 5:00 P.M.

Imported by:
Magna Industries, Inc.
2233 West 110th Street
Cleveland, OH 44102
Torch made in Taiwan
Butane cylinder made in Korea
Packaged in USA